

4

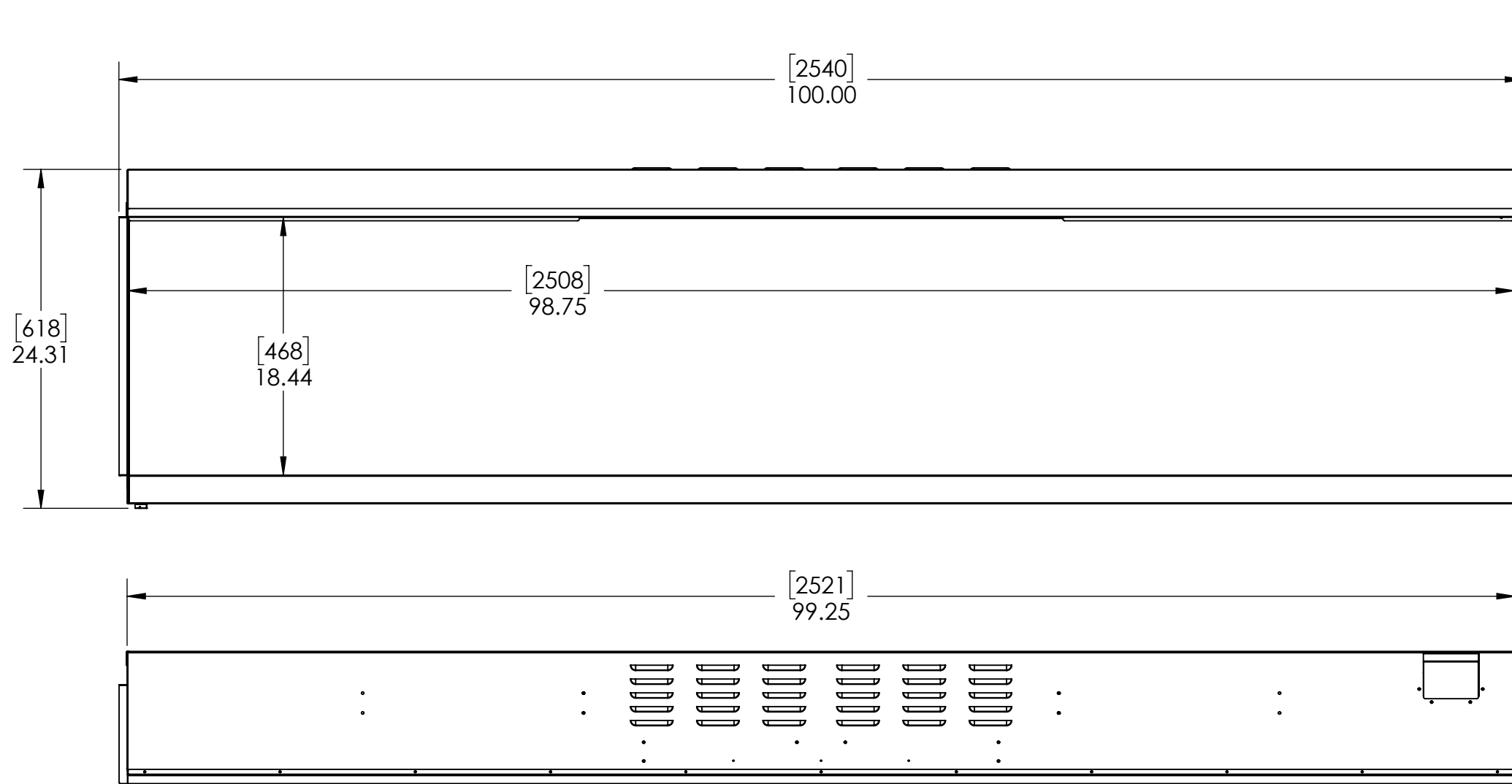
3

2

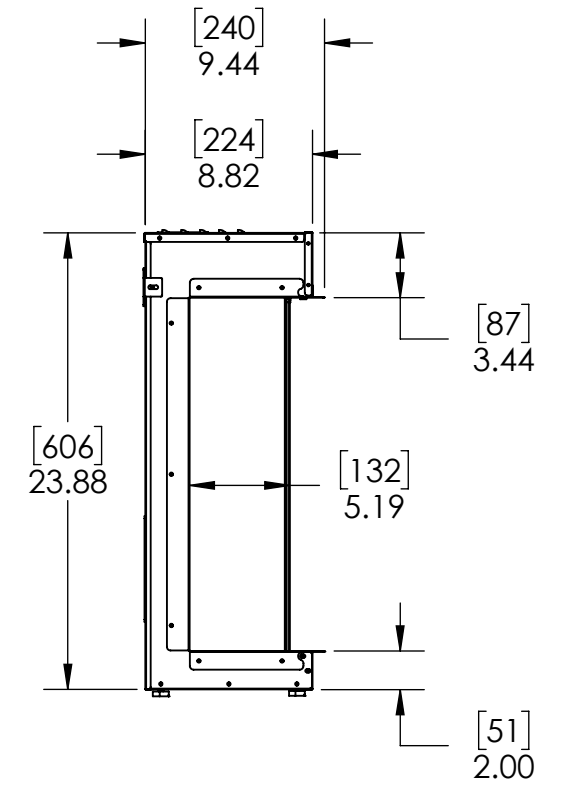
1

REVISIONS					
ZONE	REV.	DESCRIPTION	DRAWN	DATE	APPROVED

B



B



A

A

UNLESS OTHERWISE SPECIFIED:		NAME	DATE	RPG BRANDS		
DIMENSIONS ARE IN INCHES		DRAWN				
TOLERANCES:		CHECKED				
FRACTIONAL ±1/16"		ENG APPR.				
ANGULAR: MACH ±2° BEND ±2°		MFG APPR.				
ONE PLACE DECIMAL ±.1		Q.A.		TITLE: ORION MULTI 100"		
TWO PLACE DECIMAL ±.06		PROPRIETARY AND CONFIDENTIAL THE INFORMATION CONTAINED IN THIS DRAWING IS THE SOLE PROPERTY OF RICHARDSON PRODUCTS GROUP (RPG BRANDS). ANY REPRODUCTION IN PART OR AS A WHOLE WITHOUT THE WRITTEN PERMISSION OF RICHARDSON PRODUCTS GROUP (RPG BRANDS) IS PROHIBITED.		SIZE B	DWG. NO. OR100-MULTI	REV
THREE PLACE DECIMAL ±.030				SCALE: 1:10	WEIGHT:	SHEET 1 OF 1
INTERPRET GEOMETRIC TOLERANCING PER:						
MATERIAL						
FINISH						
DO NOT SCALE DRAWING						

4

3

2

1