

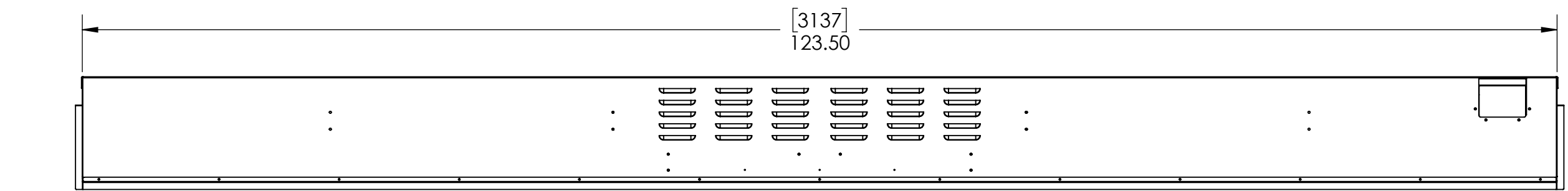
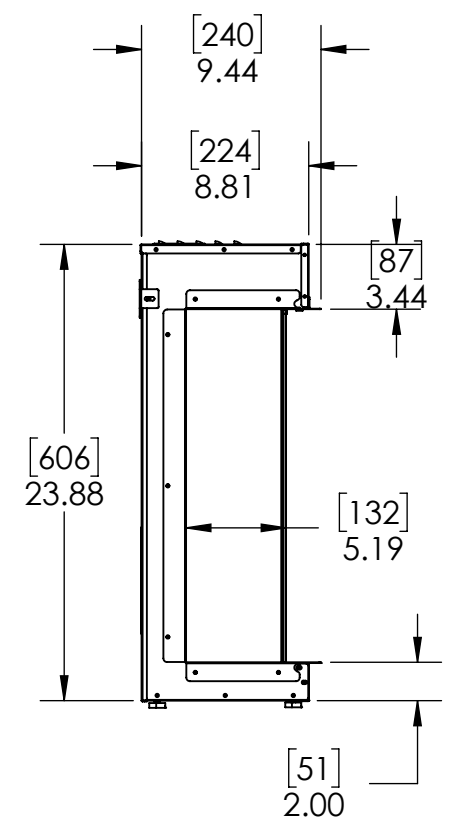
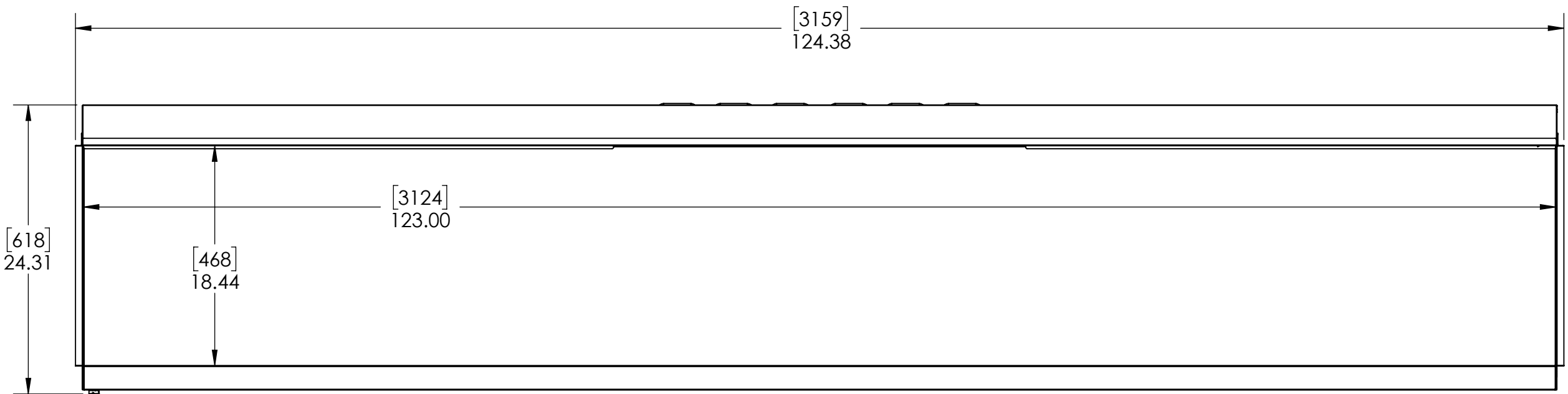
4

3

2

1

REVISIONS					
ZONE	REV.	DESCRIPTION	DRAWN	DATE	APPROVED



UNLESS OTHERWISE SPECIFIED: DIMENSIONS ARE IN INCHES TOLERANCES: FRACTIONAL ±1/16" ANGULAR: MACH ±2° BEND ±2° ONE PLACE DECIMAL ±.1 TWO PLACE DECIMAL ±.06 THREE PLACE DECIMAL ±.030 INTERPRET GEOMETRIC TOLERANCING PER: MATERIAL FINISH DO NOT SCALE DRAWING	NAME	DATE	RPG BRANDS TITLE: ORION MULTI 120" SIZE DWG. NO. REV B OR120-MULTI SCALE: 1:10 WEIGHT: SHEET 1 OF 1
	DRAWN		
	CHECKED		
	ENG APPR.		
	MFG APPR.		
Q.A.			
PROPRIETARY AND CONFIDENTIAL THE INFORMATION CONTAINED IN THIS DRAWING IS THE SOLE PROPERTY OF RICHARDSON PRODUCTS GROUP (RPG BRANDS). ANY REPRODUCTION IN PART OR AS A WHOLE WITHOUT THE WRITTEN PERMISSION OF RICHARDSON PRODUCTS GROUP (RPG BRANDS) IS PROHIBITED.			

4

3

2

1

B

B

A

A