

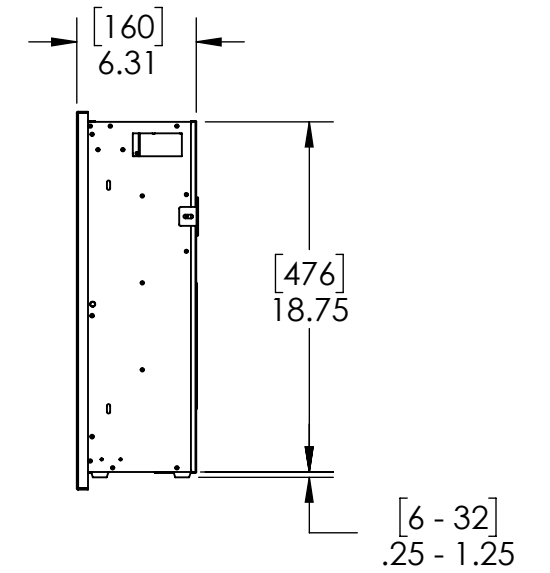
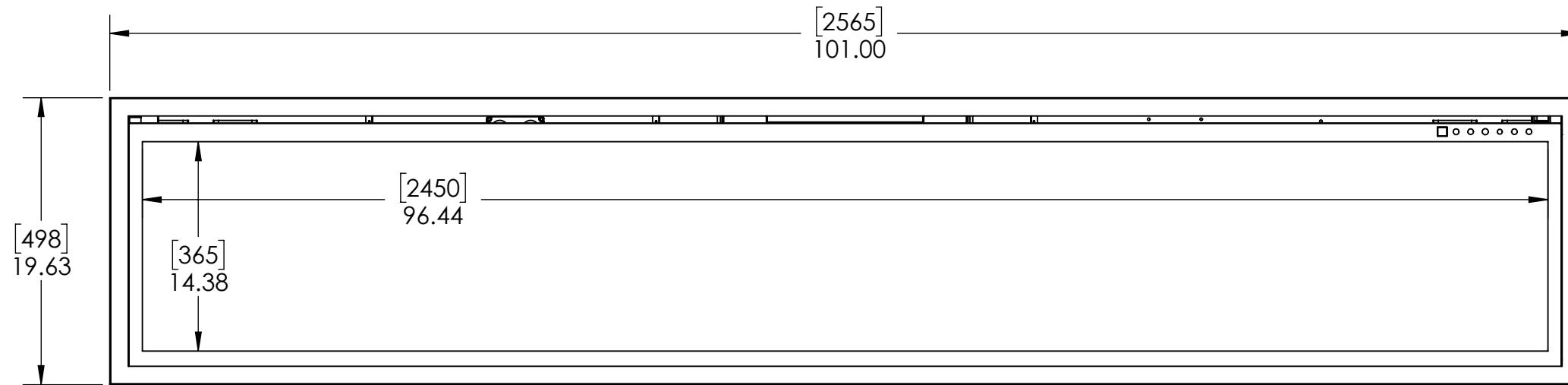
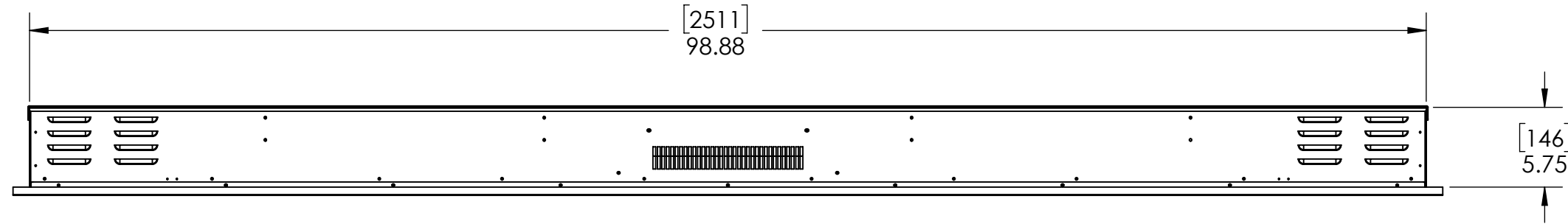
4

3

2

1

REVISIONS					
ZONE	REV.	DESCRIPTION	DRAWN	DATE	APPROVED
	A				
	B	UPDATED DIMENSIONS TO INCORPORATE SCREW HEADS (NOT SHOWN), MATCHING THE MANUAL	DF	8/5/2024	



UNLESS OTHERWISE SPECIFIED:		NAME	DATE	<b>RPG BRANDS</b>
DIMENSIONS ARE IN INCHES		DRAWN		
TOLERANCES:		CHECKED		
FRACTIONAL ±1/16"		ENG APPR.		
ANGULAR: MACH ±2° BEND ±2°		MFG APPR.		
ONE PLACE DECIMAL ±.1		Q.A.		
TWO PLACE DECIMAL ±.06		<b>PROPRIETARY AND CONFIDENTIAL</b> THE INFORMATION CONTAINED IN THIS DRAWING IS THE SOLE PROPERTY OF RICHARDSON PRODUCTS GROUP (RPG BRANDS). ANY REPRODUCTION IN PART OR AS A WHOLE WITHOUT THE WRITTEN PERMISSION OF RICHARDSON PRODUCTS GROUP (RPG BRANDS) IS PROHIBITED.		
THREE PLACE DECIMAL ±.030				
INTERPRET GEOMETRIC TOLERANCING PER:				
MATERIAL				
FINISH		SIZE	DWG. NO.	REV
DO NOT SCALE DRAWING		<b>B</b>	OR100-SLIM	<b>B</b>
SCALE: 1:10 WEIGHT:			SHEET 1 OF 1	

4

3

2

1

B

B

A

A