

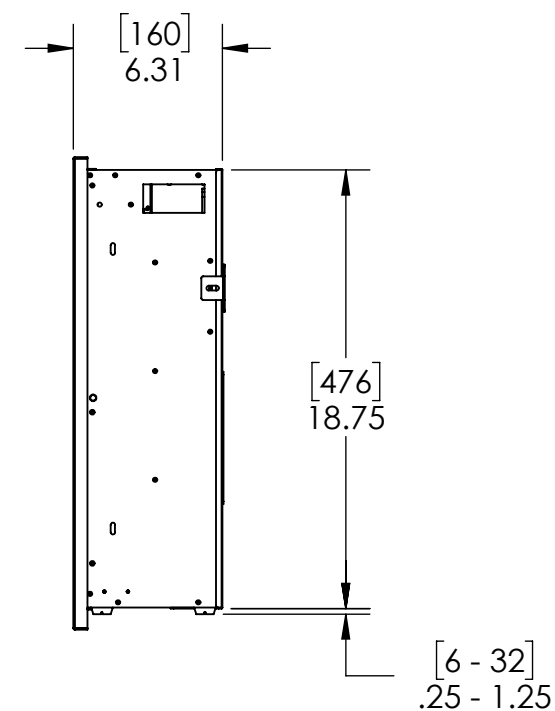
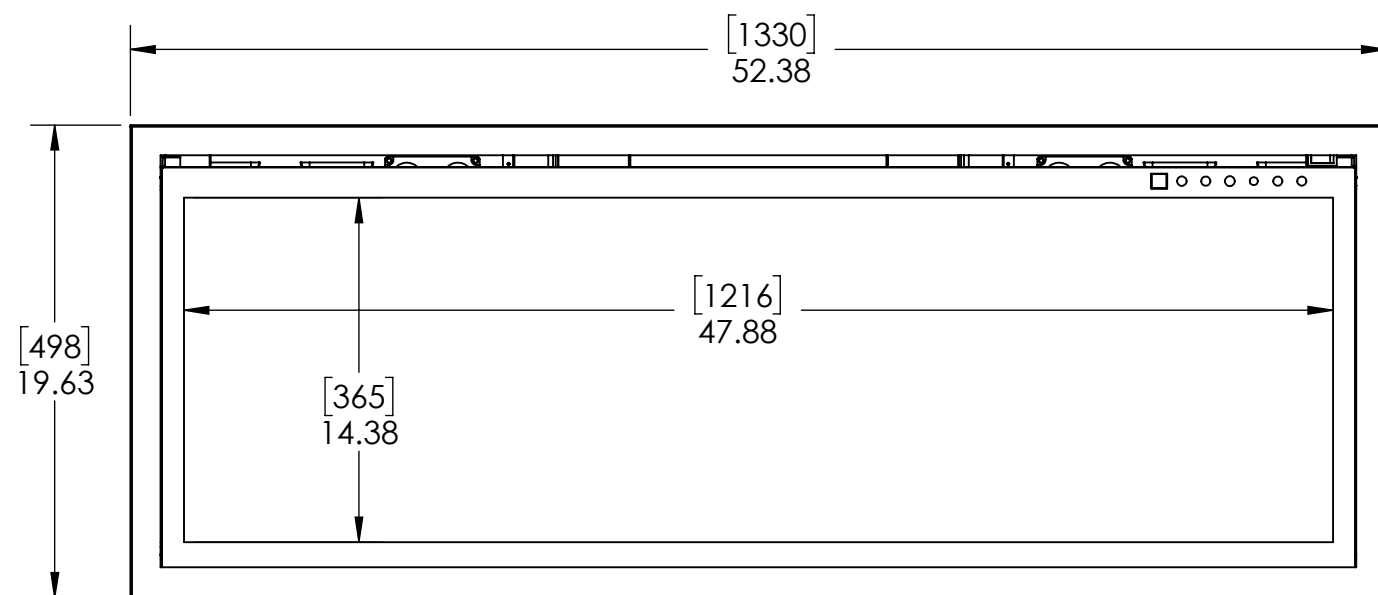
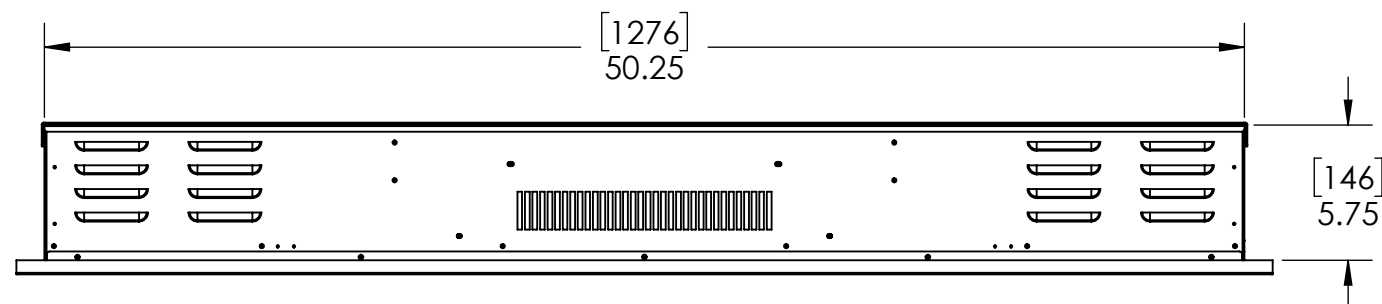
4

3

2

1

| REVISIONS | | | | | |
|-----------|------|--|-------|----------|----------|
| ZONE | REV. | DESCRIPTION | DRAWN | DATE | APPROVED |
| | A | DRAWING RELEASE | | | |
| | B | UPDATED DIMENSIONS TO INCORPORATE SCREW HEADS (NOT SHOWN), MATCHING THE MANUAL | DF | 8/5/2024 | |



| | | | | | |
|--------------------------------------|--|---|------|---------------------------------|--------------------------|
| UNLESS OTHERWISE SPECIFIED: | | NAME | DATE | RPG BRANDS | |
| DIMENSIONS ARE IN INCHES | | DRAWN | | | TITLE: ORION SLIM 52" |
| TOLERANCES: | | CHECKED | | | |
| FRACTIONAL ±1/16" | | ENG APPR. | | | |
| ANGULAR: MACH ±2° BEND ±2° | | MFG APPR. | | | |
| ONE PLACE DECIMAL ±.1 | | Q.A. | | | |
| TWO PLACE DECIMAL ±.06 | | PROPRIETARY AND CONFIDENTIAL THE INFORMATION CONTAINED IN THIS DRAWING IS THE SOLE PROPERTY OF RICHARDSON PRODUCTS GROUP (RPG BRANDS). ANY REPRODUCTION IN PART OR AS A WHOLE WITHOUT THE WRITTEN PERMISSION OF RICHARDSON PRODUCTS GROUP (RPG BRANDS) IS PROHIBITED. | | | |
| THREE PLACE DECIMAL ±.030 | | | | SIZE DWG. NO. REV | |
| INTERPRET GEOMETRIC TOLERANCING PER: | | | | B OR52-SLIM B | |
| MATERIAL | | | | SCALE: 1:8 WEIGHT: SHEET 1 OF 1 | |
| FINISH | | | | | |
| DO NOT SCALE DRAWING | | | | | |

4

3

2

1

B

B

A

A